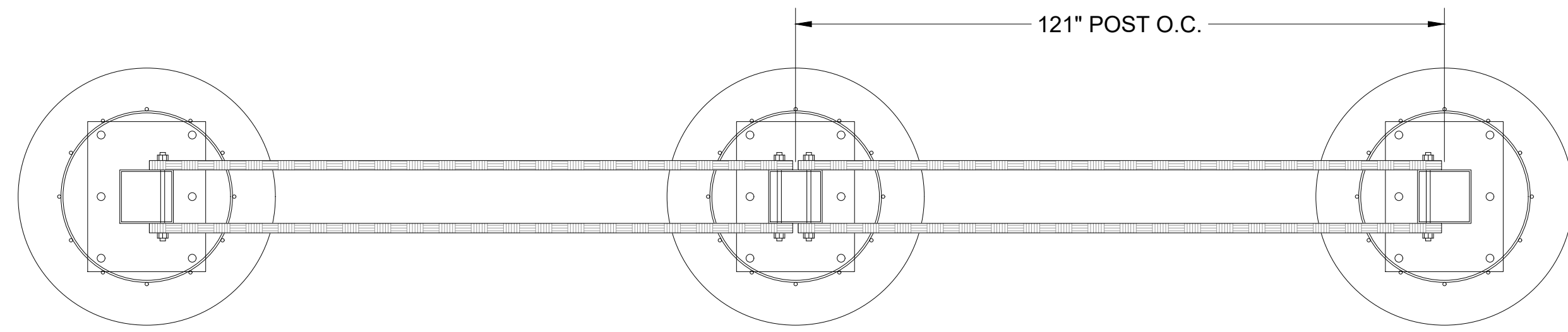
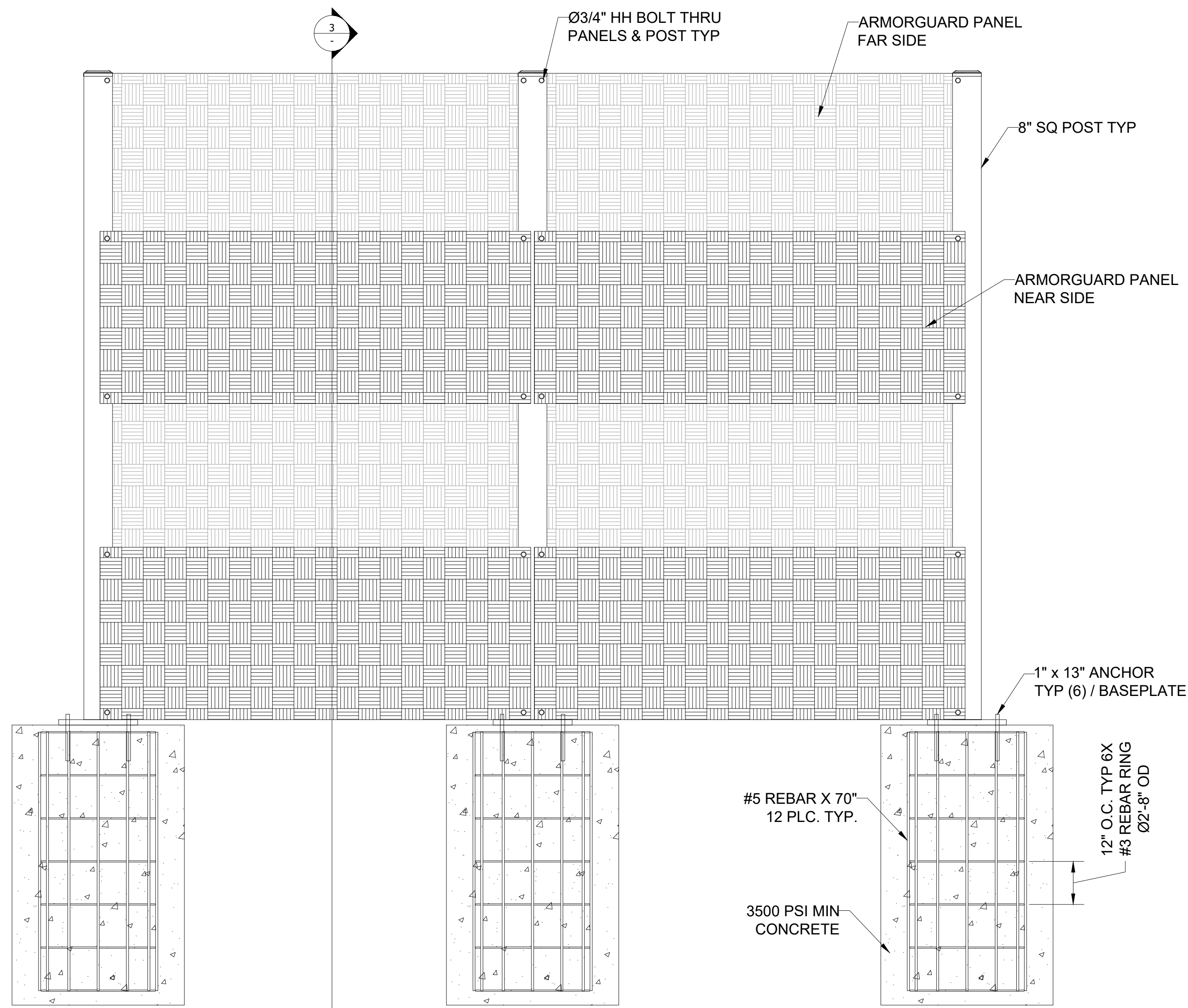


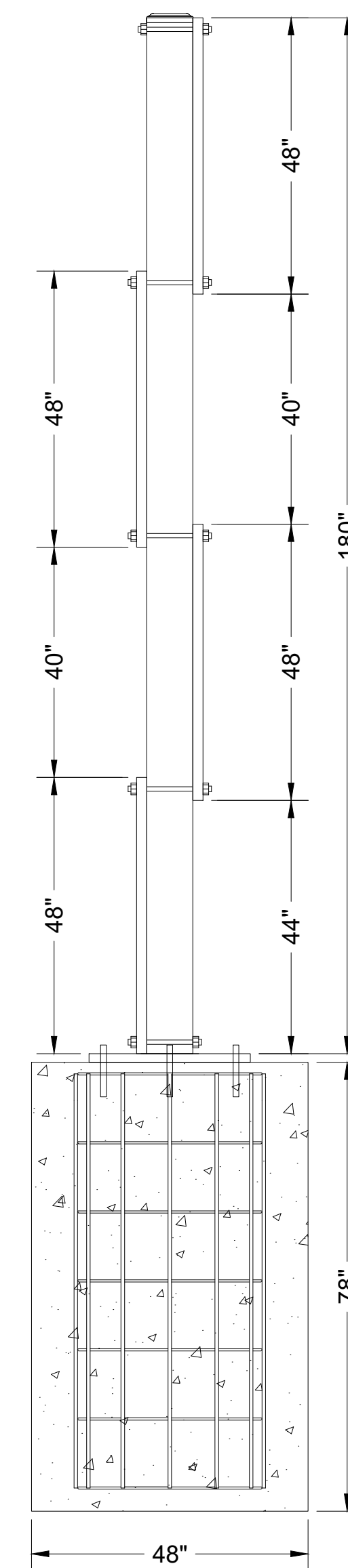
DISCLAIMER: DRAWINGS MAY NOT INCLUDE FULL PRODUCT DETAILS AND CAN CHANGE WITHOUT NOTICE.



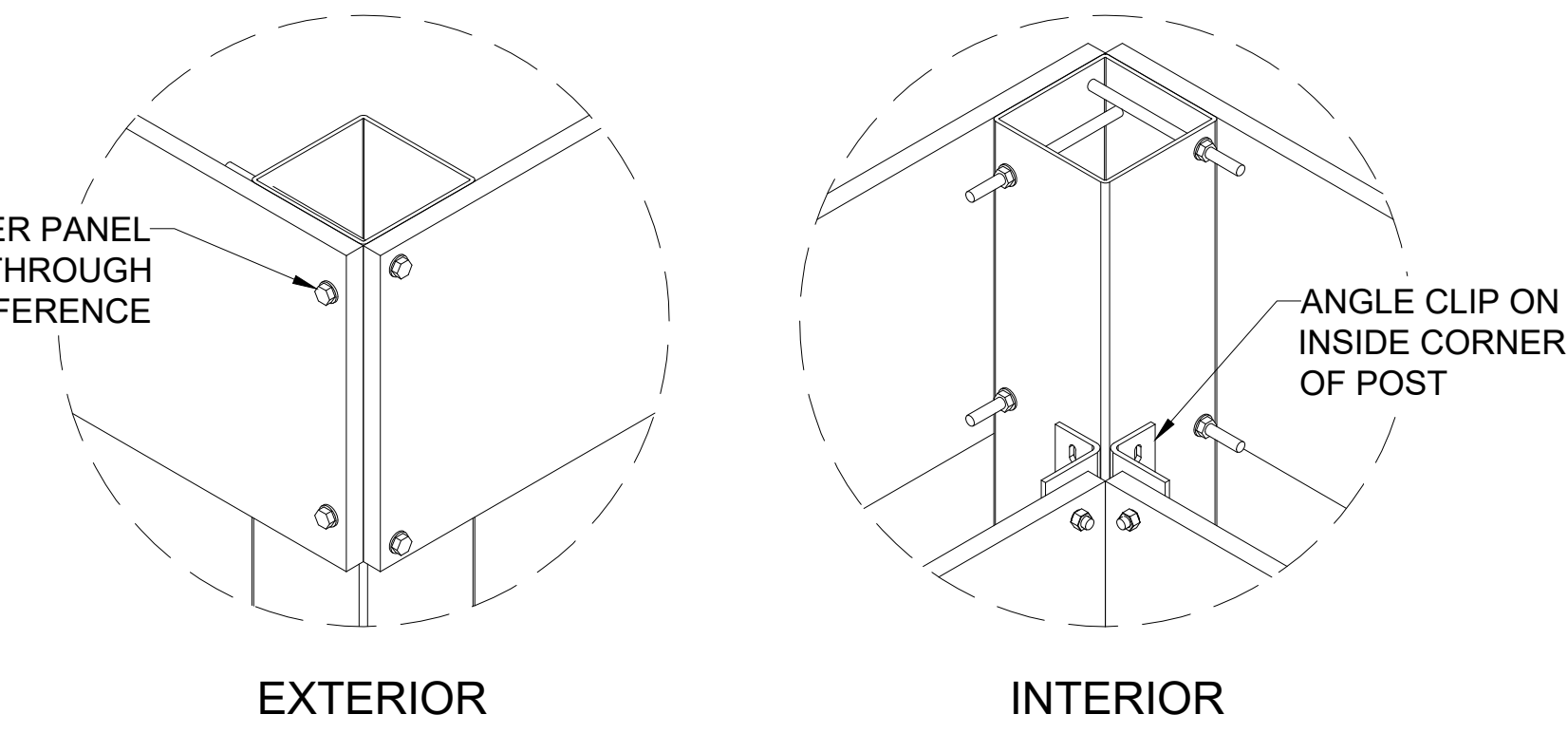
2 PLAN
SCALE: NTS



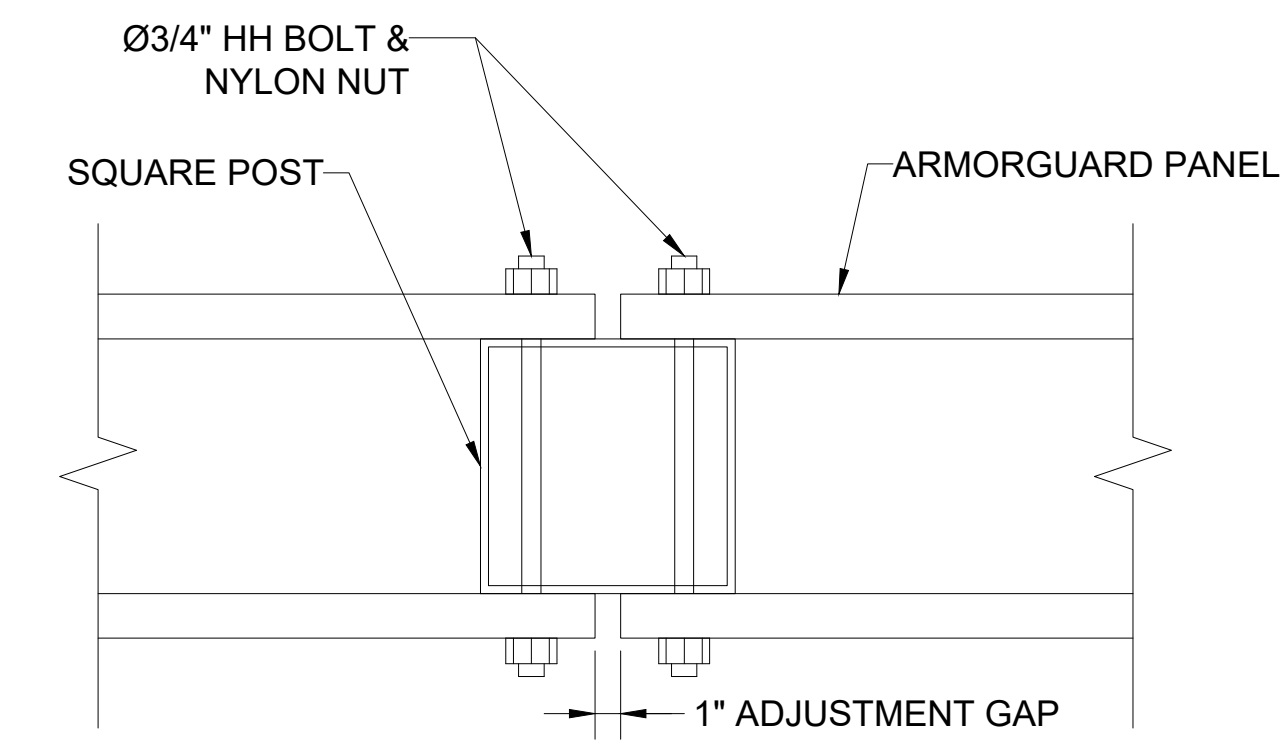
1 ARMORGUARD
TYPICAL ELEVATION
SCALE: NTS



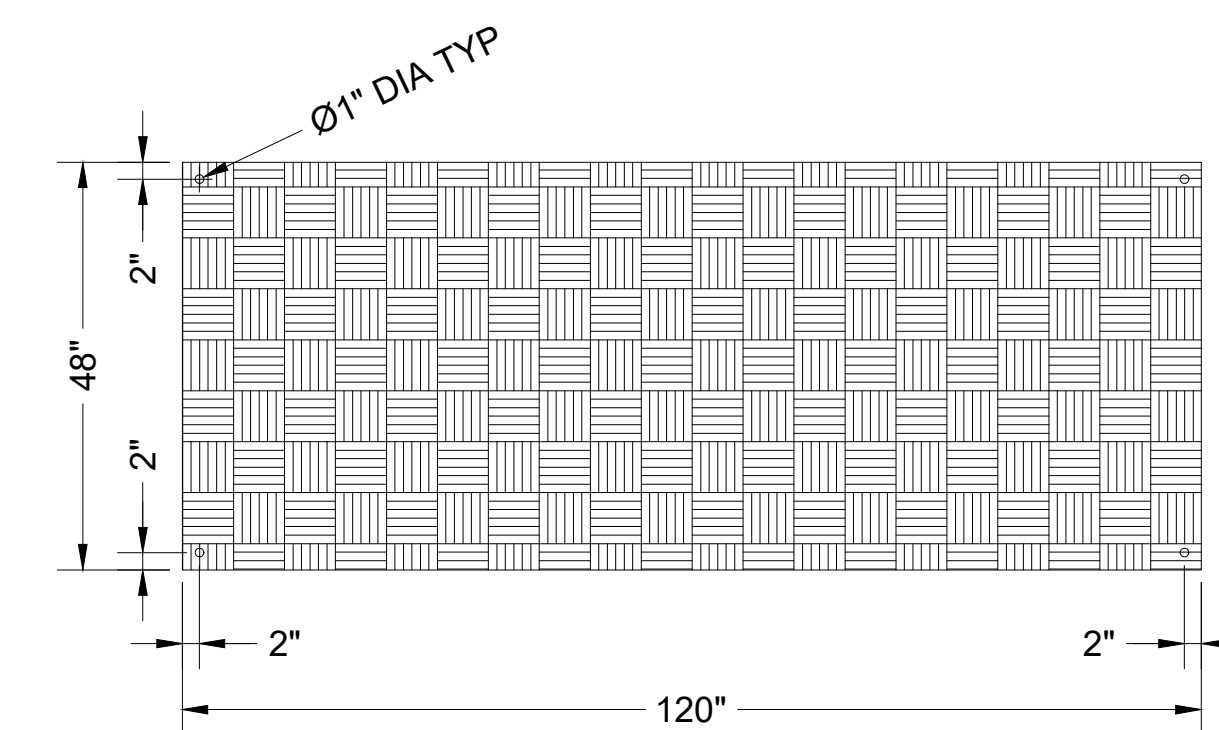
3 SECTION
SCALE: NTS



6 CORNER DETAILS
SCALE: NTS



5 PLAN
DETAIL AT POST
SCALE: NTS



4 PANEL DETAIL
SCALE: NTS

THIS DRAWING, DESIGN, AND/OR SPECIFICATION CONTAINS PROPRIETARY INFORMATION AND REMAINS THE PROPERTY OF GUARDIAR. ALL INTELLECTUAL PROPERTY (INCLUDING, WITHOUT LIMITATION, ALL COPYRIGHT AND DESIGN RIGHTS) AND PROPRIETARY RIGHTS TO ALL INFORMATION AND/OR TECHNICAL DATA CONTAINED ON THIS DRAWING BELONGS TO GUARDIAR. THE DRAWING MUST BE MAINTAINED BY YOU, THE RECIPIENT, IN STRICT CONFIDENCE. THIS DRAWING IS NOT TO BE DISCLOSED OR REPRODUCED, IN WHOLE OR IN PART, DIRECTLY OR INDIRECTLY, IN ANY MANNER WHATSOEVER, WITHOUT THE EXPRESS WRITTEN CONSENT OF GUARDIAR USA, LLC AND IT SHALL BE RETURNED UPON REQUEST. ALL RIGHTS RESERVED.

BETAFENCE
a PRAXID brand
Main: 972-978-7000 Fax: 214-887-4552
3309 S. I-45 ENNIS, TX 75119
www.Guardiar.com

REV	DATE	DESCRIPTION	BY

**ARMORGUARD
TYPICAL ELEVATION**

MATERIAL SPECIFICATIONS
A36 STEEL- ALL PLATE, ANGLE & CHANNEL
COMMERCE CALV. TUBE, SQUARE
U.S.A. - ALL PRE-CALV. MAT'L A653 MMIN.
ZINC COATINGS WEIGHT 0.80/0.2FT

FINISH
HDG OR POWDERCOATED

PROJECT	TYPICAL
CUSTOMER CLIENT	HSI HSXXXX
QUOTE#	
DATE	DRAFTER REVIEWER
14-DEC-18	TJR -

SHEET NO.

AG